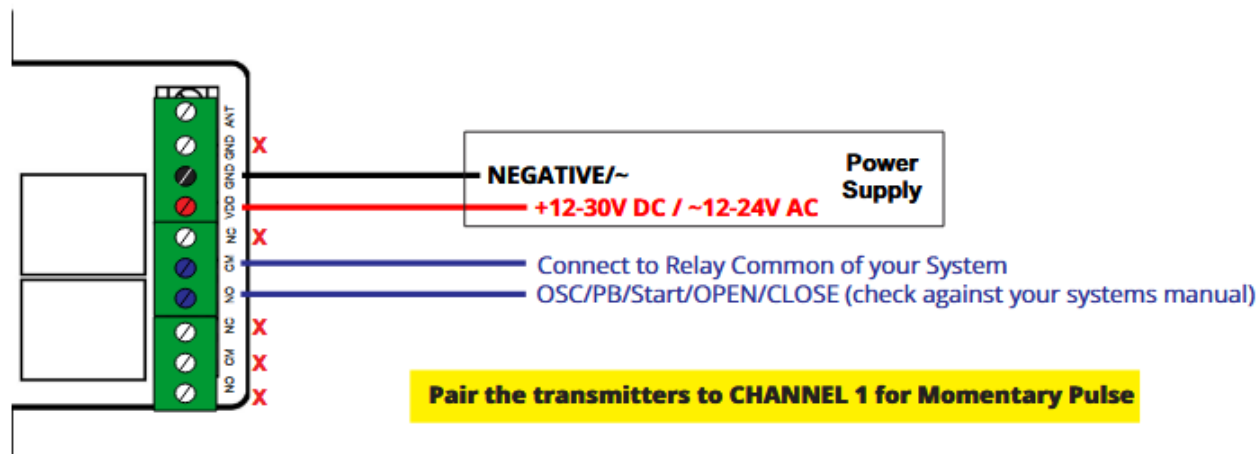




# TIGERLINK

## Wiring Diagram receiver



### Pairing remotes/keypads to garage doors and automatic gates.

#### Momentary Pulse for CH 1

1. Press P1 and wait for the single flash from the LED
2. Now press the button on the transmitter you wish to use for this function.

#### Momentary Pulse for CH 2

1. Press P1 and wait for the from the LEDTWO TIMES two flashes
2. Now press the button on the transmitter you wish to use for this function

### Pairing remotes/keypads as ON/OFF switch

#### Latching Circuit for CH 1

1. Press P1 and wait for the led to flash three times
2. Now press the button on the transmitter you wish to use for this function.

#### Latching Circuit for CH 2

1. Press P1 and wait for the led to flash four times.
2. Now press the button on the transmitter you wish to use for this function.

### Deleting a single remote/keypad

1. Press and HOLD P2 for 3 Seconds.
2. Upon releasing P2 the LED will turn on
3. Press the transmitter button you wish to delete
4. If followed correctly the led should flash TWICE for confirmation.

### Deleting all remotes

Press and HOLD P2 for 10 Seconds, the LED will turn ON. Release P2 button, all transmitters will be deleted